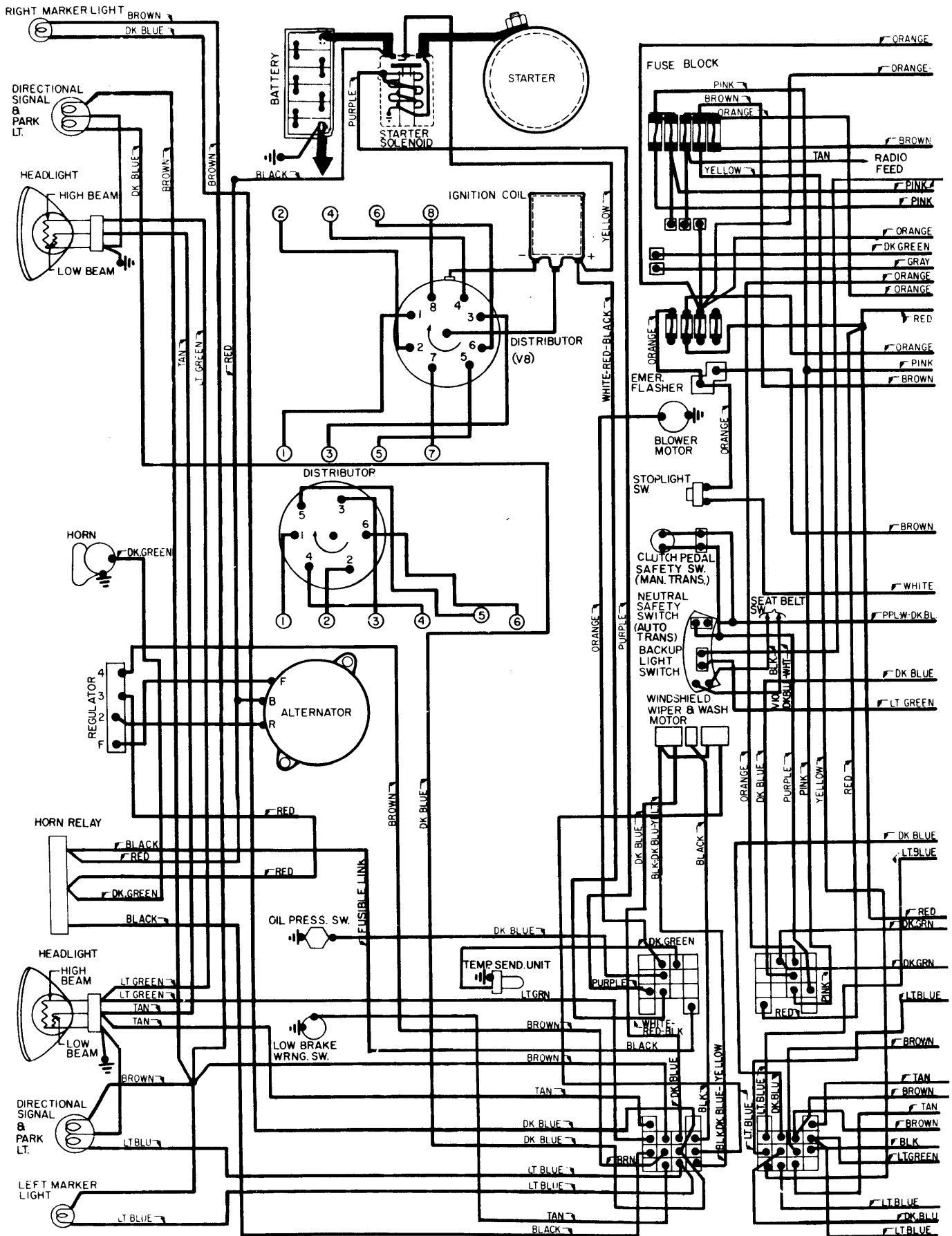
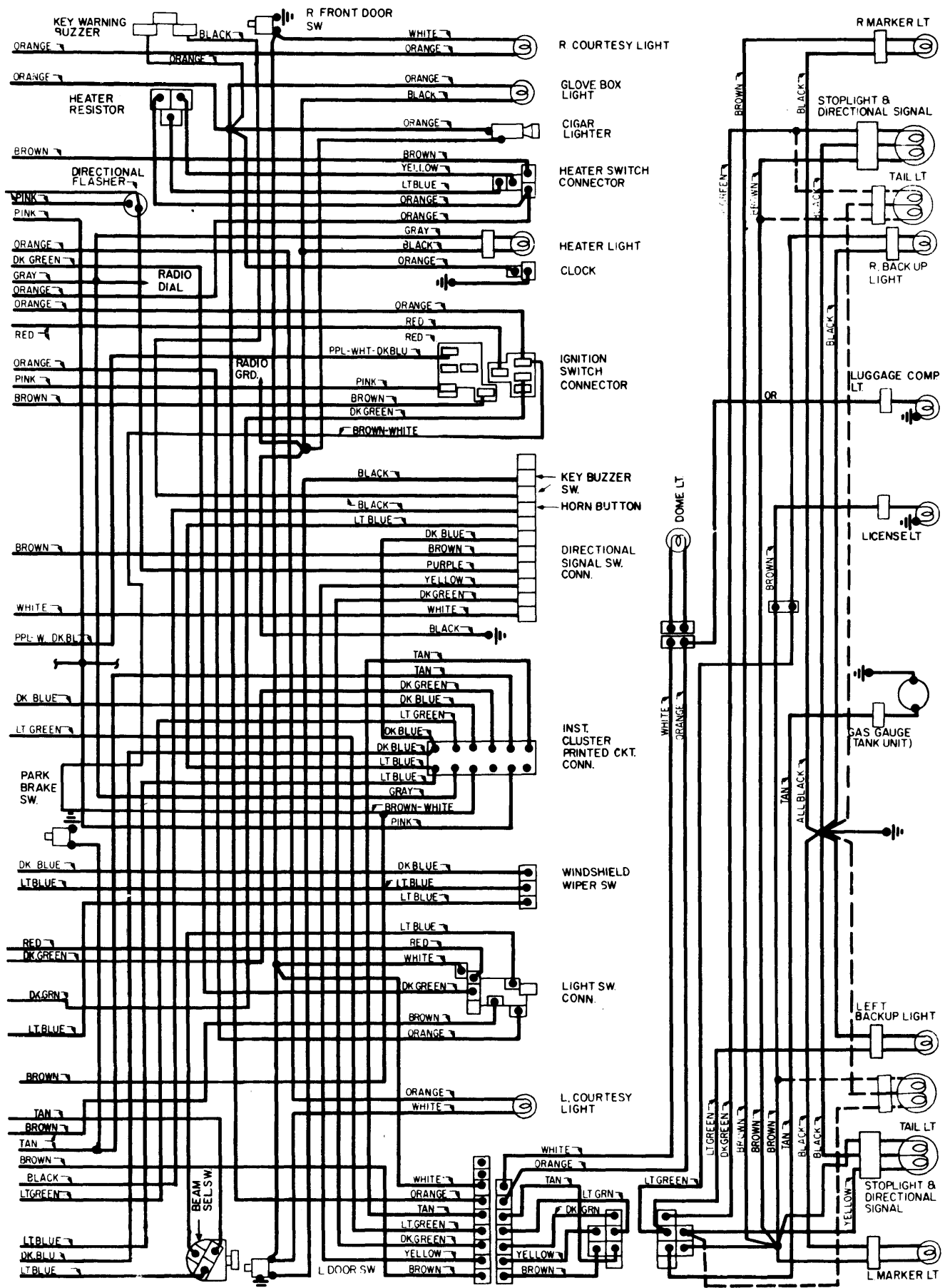


# 1972 Chevrolet



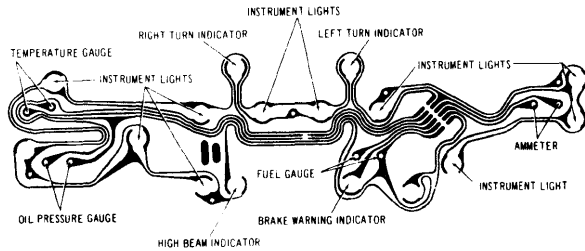
# 1972 Chevrolet

Chevelle SS

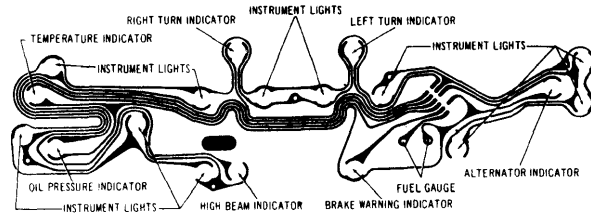


# 1972 Printed Circuits

GENERAL MOTORS  
CHEVROLET



1972 CHEVELLE & MONTE CARLO  
(WITH GAUGES)

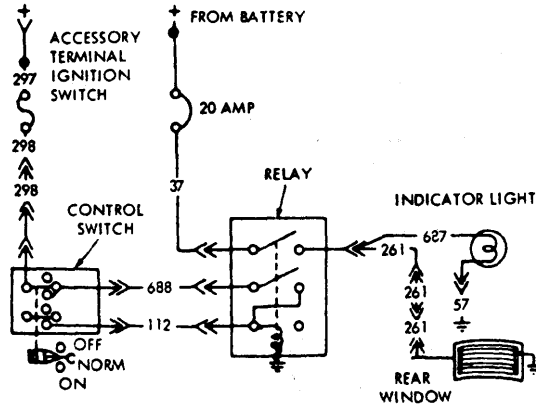


1972 CHEVELLE & MONTE CARLO  
(WITH INDICATOR LIGHTS)



1972 CHEVELLE INSTRUMENT LIGHTS

# 1972 Electric Window Defoggers



LATCHING RELAY CIRCUIT

# 1972 Electric Window Controls

## GENERAL MOTORS

### 1972 MODEL IDENTIFICATION CHART

Division	Sales Name	Body Type	Series	Styles
Buick	Skylark	A	43300	27-37-69
	GS	A	43400	36-37-67 (36 Sport Wagon)
	Skylark Custom	A	44400	37-39-67-69
	Le Sabre	B	45200	39-57-69
	Le Sabre Custom	B	45400	39-57-67-69
	Estate Wagon	B	46000	35-45
	Centurion	B	46600	39-47-67
	Electra "225"	C	48200	37-39
	Electra "225" Custom	C	48400	37-39
	Riviera	E	49400	87
Cadillac	Fleetwood Brougham Sedan	C	68100	69
	Calais	C	68200	47-49
	DeVille	C	68300	47-49
	Fleetwood Seventy-Five	D	69700	23-33
	Eldorado	E	69300	47-67
GM of Canada Pontiac	Laurentian	B	75600	35-45-57-69
	Parisienne Brougham	B	76400	39-57-69
Chevrolet	Chevelle Nomad	A	13200	36
	Chevelle "300" Deluxe	A	13400	36-37-46-69-80
	Chevelle Malibu	A	13600	36-37-39-46-67-69-80
	Concours Estate	A	13800	36-46
	Monte Carlo	A	13800	57
	Biscayne	B	15400	35-69
	Bel Air	B	15600	35-45-69
	Impala	B	16400	35-39-45-47-67-69
	Caprice	B	16600	35-39-45-47
	Camaro	F	12400	87
	Nova	X	11400	27-69

# 1972 Electric Window Controls

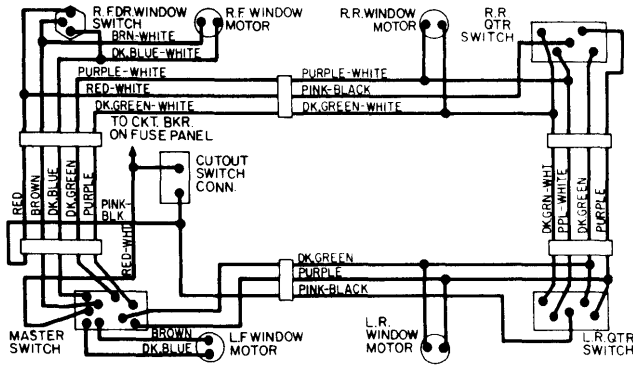
## GENERAL MOTORS

### 1972 MODEL IDENTIFICATION CHART

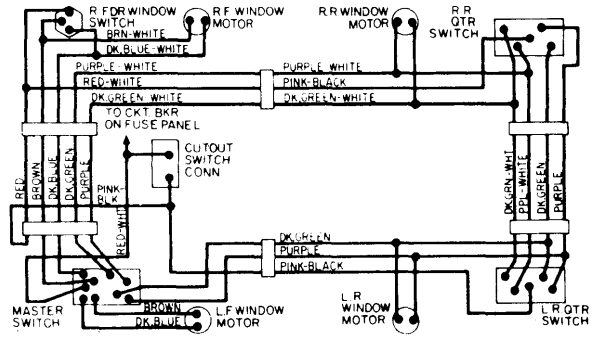
Division	Sales Name	Body Type	Series	Styles
Pontiac	LeMans	A	23500	27-36-37-69
	LeMans Sport	A	23800	67
	LeMans Luxury	A	24400	37-39
	Grand Prix	A	27600	57
	Catalina	B	25200	35-39-45-57-67-69
	Brougham	B	25800	39-57-69
	Bonneville	B	26200	35-39-40-45-57-69
	Grand Ville	B	26800	47-49-67
	Firebird	F	22300	87
	Ventura II	X	21400	27-69
	Oldsmobile	F-85	A	33200
Cutlass		A	33600	36-69-77-87
Cutlass Supreme		A	34200	39-57-67
Vista-Cruiser		A	34800	56-66
Delta 88		B	35400	39-57-69
Delta Royale 88		B	36400	39-57-67-69
Delta Cruiser 88		B	36800	35-45
Ninety Eight		C	38400	37-39
Ninety Eight Luxury		C	38600	37-39
Toronado		E	39600	57
Toronado Deluxe		E	39800	57

# 1972 Electric Window Controls

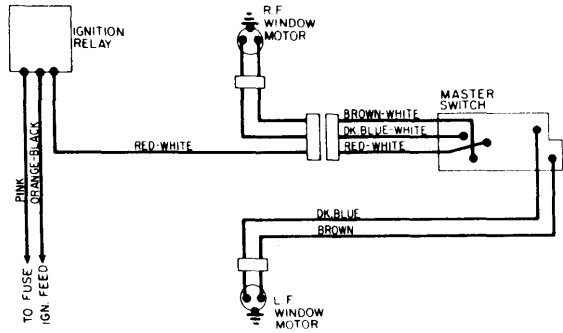
## GENERAL MOTORS



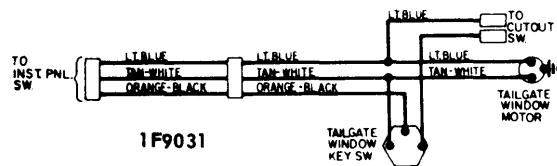
"D" STYLE POWER WINDOW WIRING DIAGRAM



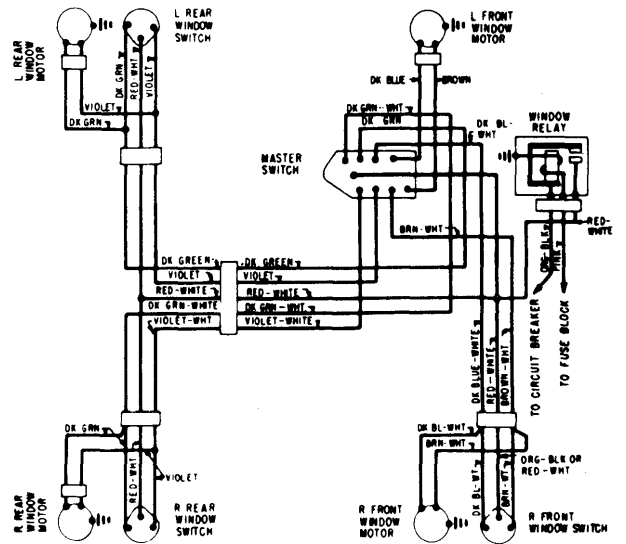
"B-C-E" STYLE POWER WINDOW WIRING DIAGRAM



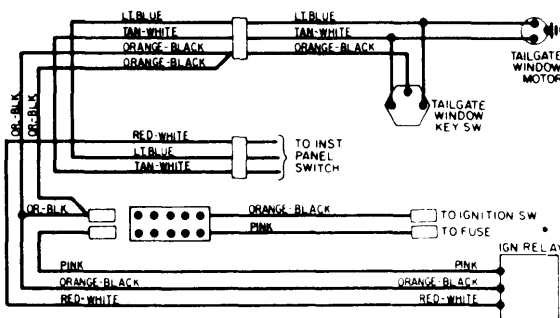
"F" STYLE POWER WINDOW WIRING DIAGRAM



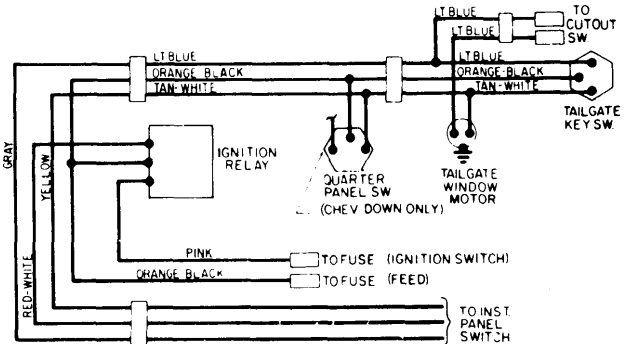
"A" STYLE OLDSMOBILE & BUICK TAILGATE POWER WINDOW WIRING DIAGRAM



"A" STYLE POWER WINDOW WIRING DIAGRAM



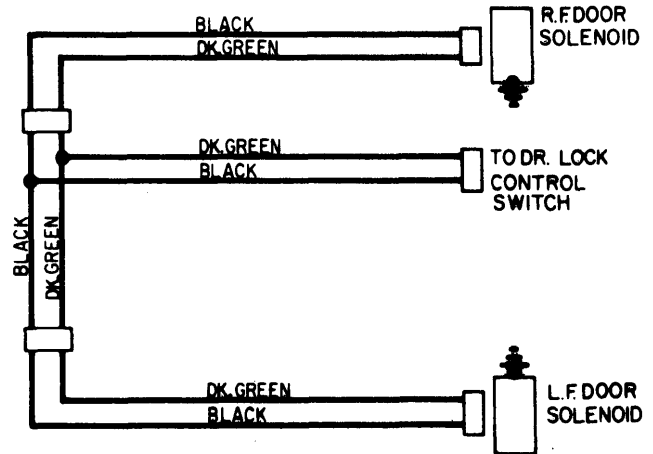
"B" STYLE CHEVROLET, PONTIAC, BUICK & OLDSMOBILE TAILGATE POWER WINDOW WIRING DIAGRAM



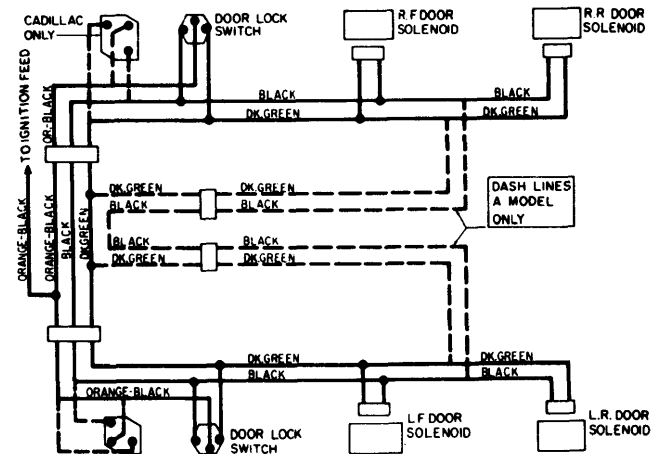
"A" STYLE CHEVROLET & PONTIAC TAILGATE POWER WINDOW WIRING DIAGRAM 1972

# 1972 Door Locks

Body Type	GM Division	Car Name
"A" Body	Buick	Skylark & Custom, GS.
	Chevrolet	Chevelle Nomad & 300, Chevelle Malibu, Concours Estate, Monte Carlo.
	Oldsmobile	F-85, Cutlass & Supreme, 442, Vista Cruiser.
	Pontiac	All Tempest, Grand Prix.
"B" Body	Buick	LeSabre, Estate Wagon, Centurion.
	Chevrolet	Biscayne, Bel Air, Impala, Caprice.
	Oldsmobile	All Delta 88 Models.
	Pontiac	Catalina, Brougham, Bonneville, Grandville.
"C" Body	Buick	Electra.
	Cadillac	Fleetwood Brougham, Calais, DeVille.
	Oldsmobile	All 98 Models.
"E" Body	Buick	Riviera.
	Cadillac	Eldorado.
	Oldsmobile	Toronado.
"F" Body	Chevrolet	Camaro.
	Pontiac	Firebird.



DOOR LOCK WIRING DIAGRAM - "F" STYLE

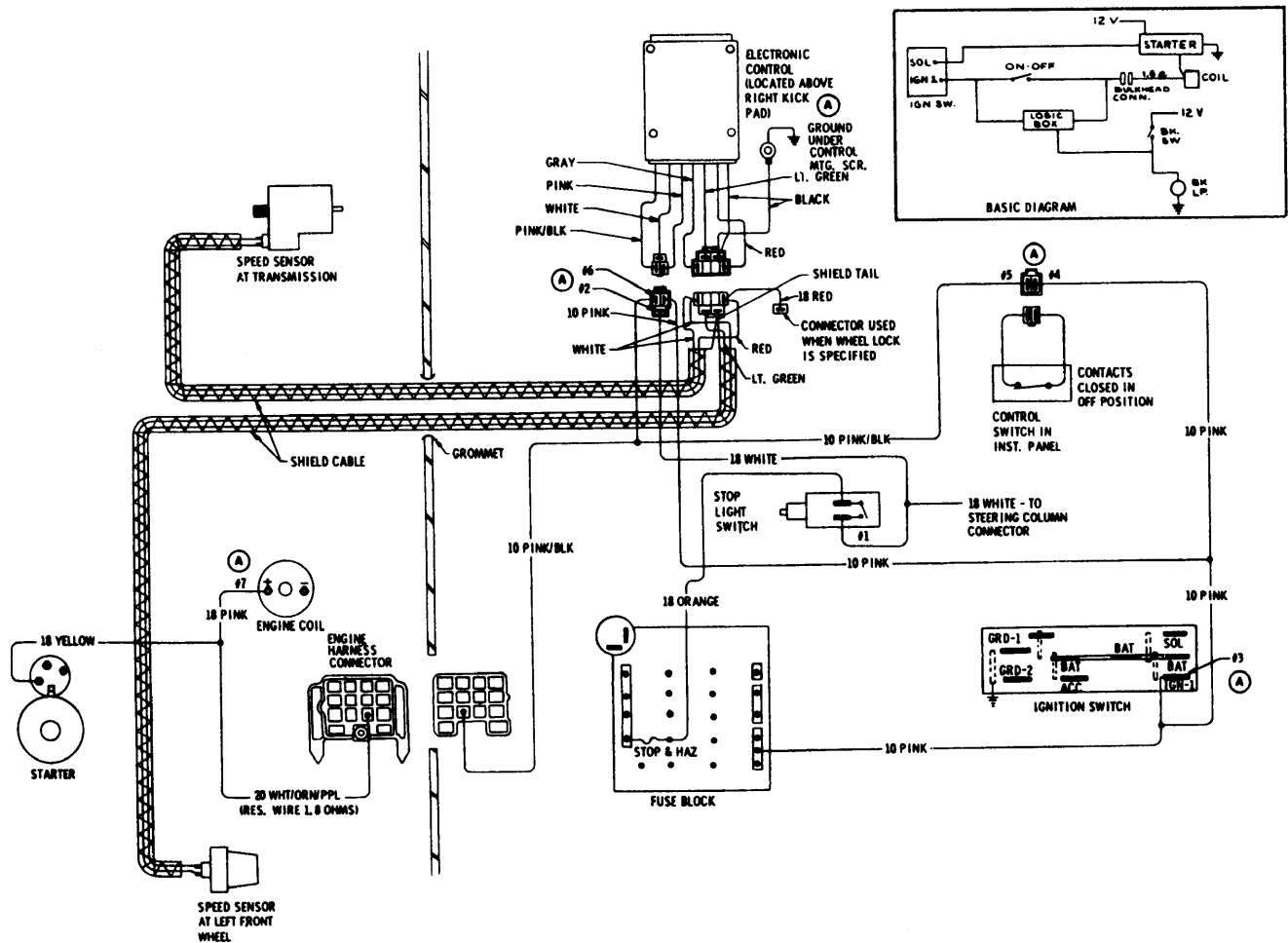


DOOR LOCK WIRING DIAGRAM - "A-B-C-E" STYLES



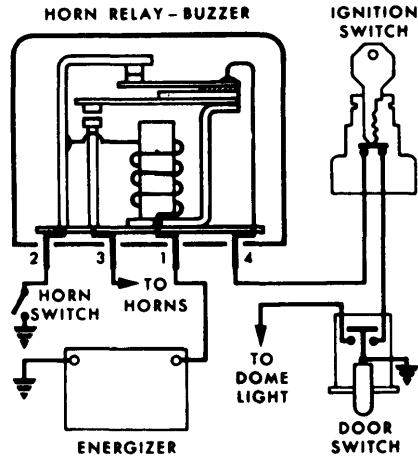
# 1972 Electric Brake Systems

## GENERAL MOTORS "MAX-TRAC" TRACTION CONTROL SYSTEM



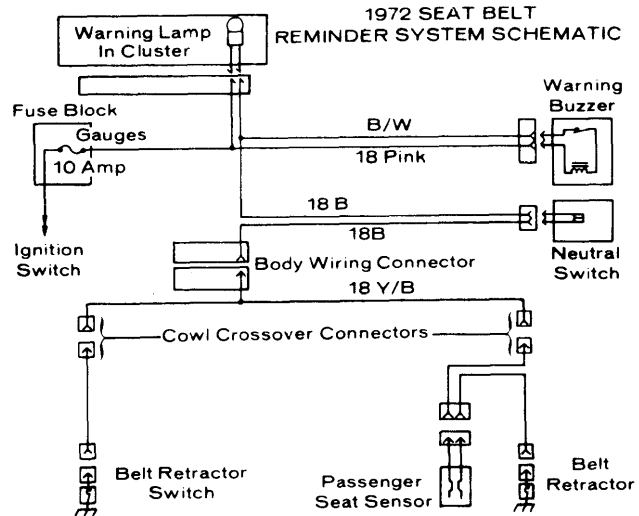
MAX-TRAC WIRING DIAGRAM

# 1972 Key Warning Buzzer



GM HORN RELAY-BUZZER WIRING DIAGRAM

# 1972 Seat Belt Warning System



TYPICAL G.M. WIRING DIAGRAM